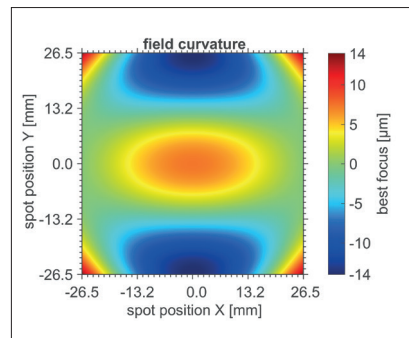
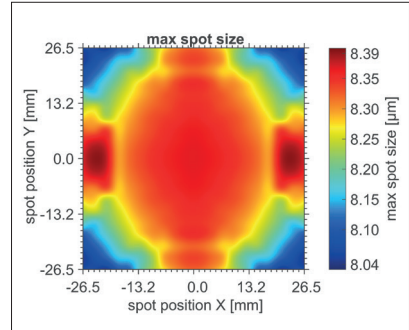


F-Theta JENar™ Silverline™ Lens  
High Power Lens – JENar™ 125-355-75



Parameters	JENar™ 125-355-75 Fused silica lens for Ultrashort pulse
Focal length:	125 mm
Wavelength:	355 nm
Scan field ( X x Y ); Ø:	(53 mm x 53 mm); 75 mm <sup>B)</sup>
Diagonal scan angle:	± 17.7°
X/Y mirror angle:	± 6.3°
Back working distance:	163.5 mm
Flange focus distance:	263.95 mm
Input beam Ø 1/e <sup>2</sup> :	10 mm <sup>B)</sup>
Focus size Ø 1/e <sup>2</sup> :	8 µm
a1   a2:	13 mm <sup>A), B)</sup>   42.5 mm
Telecentricity (only F-Theta   with scanner):	0.01°   0.97°
Group delay dispersion (GDD)*:	7520 fs <sup>2</sup>
LIDT coating pulsed; CW*:	1.0 J/cm <sup>2</sup> * (τ/[ns]) ^ 0.40; 1.0 MW/cm <sup>2</sup>
LIDT system pulsed; CW*:	1.0 J/cm <sup>2</sup> * (τ/[ns]) ^ 0.40; 1.0 MW/cm <sup>2</sup>
Weight:	1.494 kg
Order Number:	628956

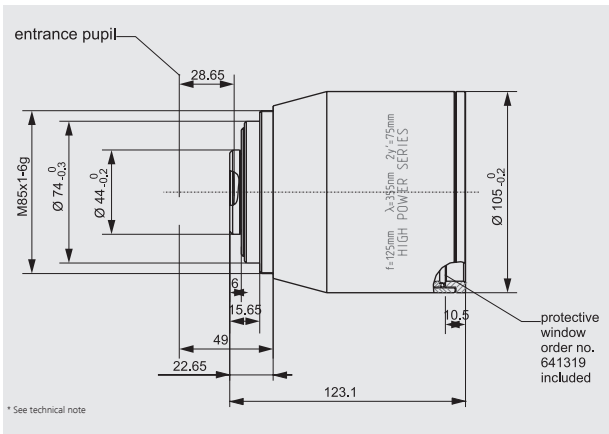
Spot properties



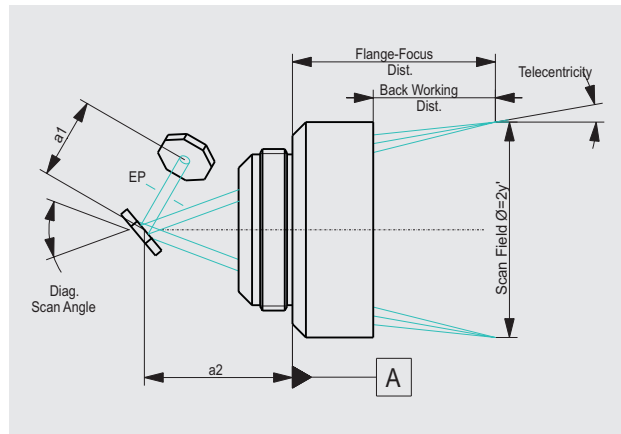
A) 10 mm aperture and a1 = 17 mm possible without vignetting

B) 14 mm aperture and a1 = 17 mm possible for 66 mm scanfield diagonale

Specifications  
JENar™ 125-355-75



Definition of geometrical parameters



JENar®: Registered in EU, CN, JP, SG, US | Silverline®: Registered in DE, JP, SG, IN  
628956: Utility patent DE 20 2019 100 632 | Utility patent pending in CN, KR

The data given are nominal values for the specified application parameters. Jenoptik provides Zemax® BlackBox files for simulating application results for customized parameters (e.g. wavelength, scanner geometry, beam diameter, ...).  
Back working distance, Flange focus distance, and focal length vary by ± 1.5 % due to manufacturing variances.

It is our policy to constantly improve the design and specifications. Accordingly, the details represented herein cannot be regarded as final and binding.