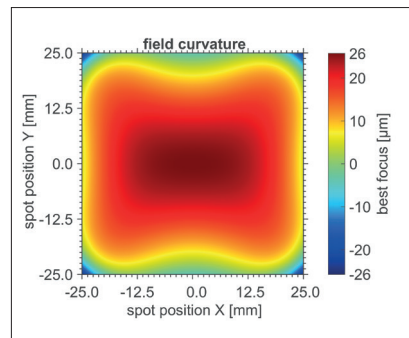
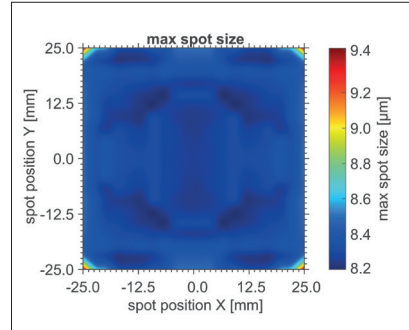


F-Theta JENar™ Silverline™ Lens
High Power Lens – JENar™ 115-515...540-71

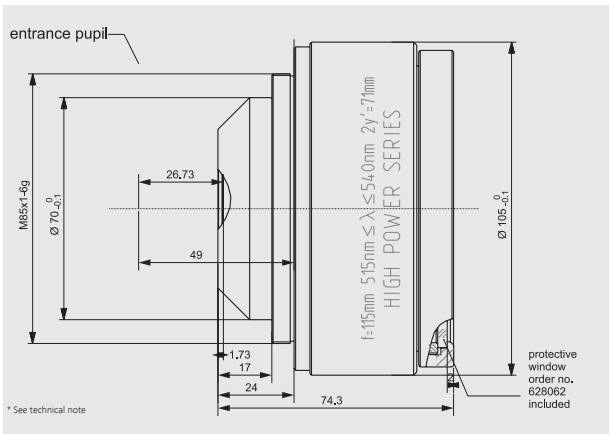


Parameters	JENar™ 115-515...540-71 Fused silica lens for Ultrashort pulse
Focal length:	115 mm
Wavelength:	515...540 nm
Scan field (X x Y); Ø:	(50 mm x 50 mm); 71 mm
Diagonal scan angle:	± 18°
X/Y mirror angle:	± 6.4°
Back working distance:	146 mm
Flange focus distance:	196.3 mm
Input beam Ø 1/e²:	14 mm
Focus size Ø 1/e²:	8 µm
a1 a2:	17 mm 40.5 mm
Telecentricity (only F-Theta with scanner):	3.5° 3.7°
Group delay dispersion (GDD)*:	3216 fs²
LIDT coating pulsed; CW*:	2.5 J/cm² * (τ/[ns]) ^ 0.35; 2.5 MW/cm²
LIDT system pulsed; CW*:	2.5 J/cm² * (τ/[ns]) ^ 0.35; 2.5 MW/cm²
Weight:	1.014 kg
Order Number:	624103

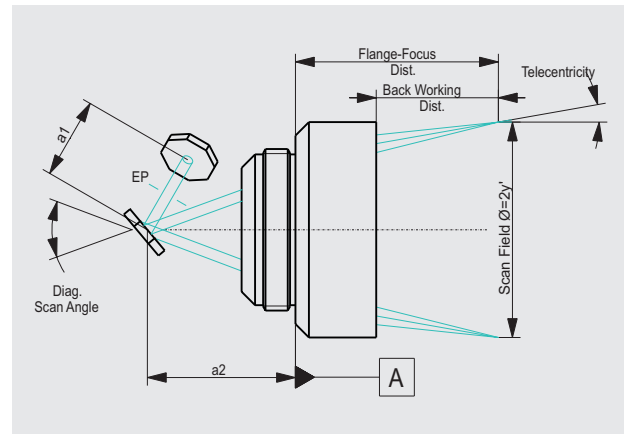
Spot properties



Specifications
JENar™ 115-515...540-71



Definition of geometrical parameters



JENar®: Registered in EU, CN, JP, SG, US | Silverline®: Registered in DE, JP, SG, IN
624103: Utility patent DE 20 2018 100 368 | Utility patent pending in CN, KR

The data given are nominal values for the specified application parameters. Jenoptik provides Zemax® BlackBox files for simulating application results for customized parameters (e.g. wavelength, scanner geometry, beam diameter, ...).
Back working distance, Flange focus distance, and focal length vary by ± 1.5 % due to manufacturing variances.

It is our policy to constantly improve the design and specifications. Accordingly, the details represented herein cannot be regarded as final and binding.