

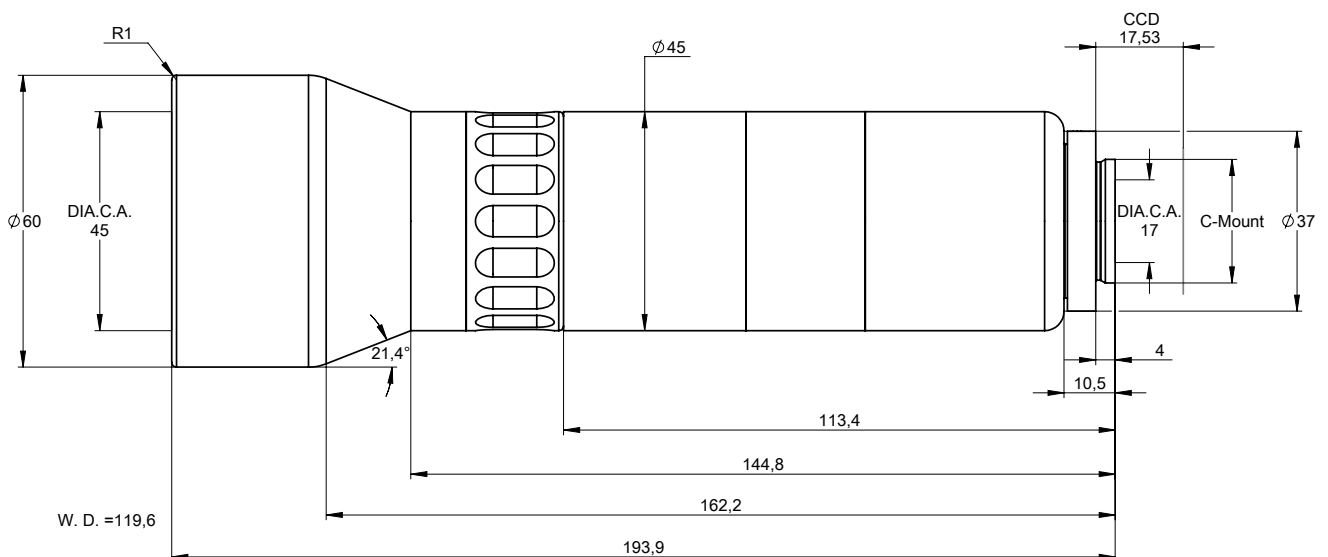
S5LPJ3208

Correctal TCL 50/0.77

- standard telecentric lenses
- bi-telecentric lens
- with C-mount
- fixed iris



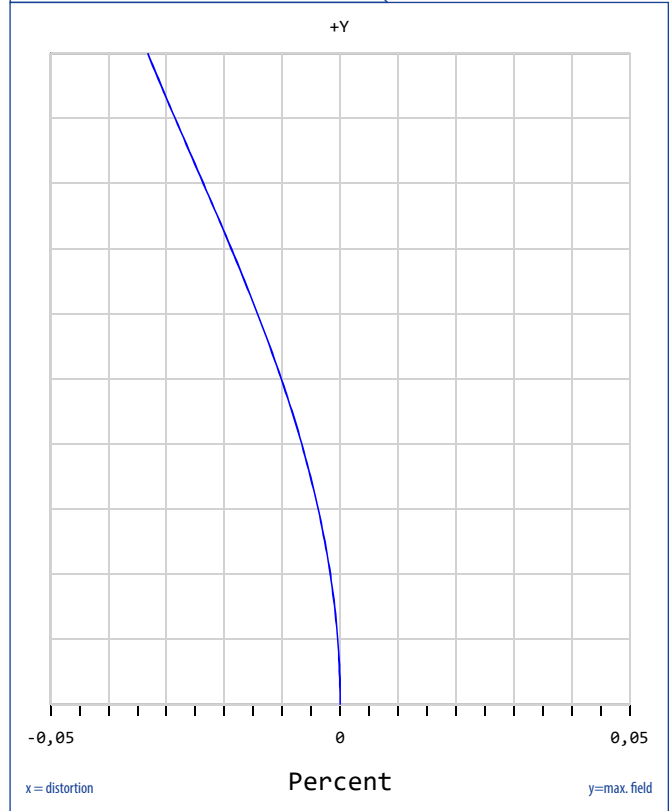
outline drawing



specifications

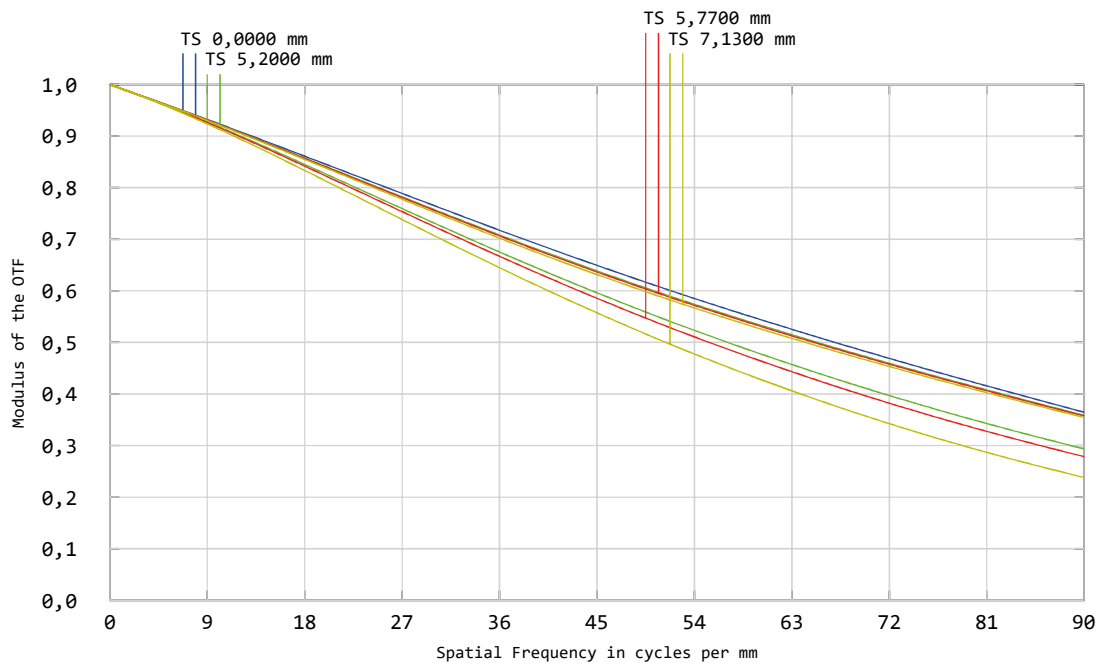
article number	S5LPJ3208
wavelength range [nm]	450 - 700
design wavelength [nm]	586
magnification (+/-5%)	0.770
working distance [mm] (+/-2%)	119.5
object size [mm] at a chip size of [mm]	6.2 x 8.3 4.8 x 6.4 (1/2")
object size [mm] at a chip size of [mm]	6.9 x 9.4 5.3 x 7.2 (1/1.8")
object size [mm] at a chip size of [mm]	8.6 x 11.4 6.6 x 8.8 (2/3")
max. telecentricity error [°]	< 0.01
recommended numerical aperture	0.040
max. distortion [%]	< 0.03
weight [kg]	0.7
flange back distance [mm]	17.53
accessory	S5SET2060

Distortion for 586 nm



notes

MTF for various object heights at 586 nm



T. tangential

S. sagittal