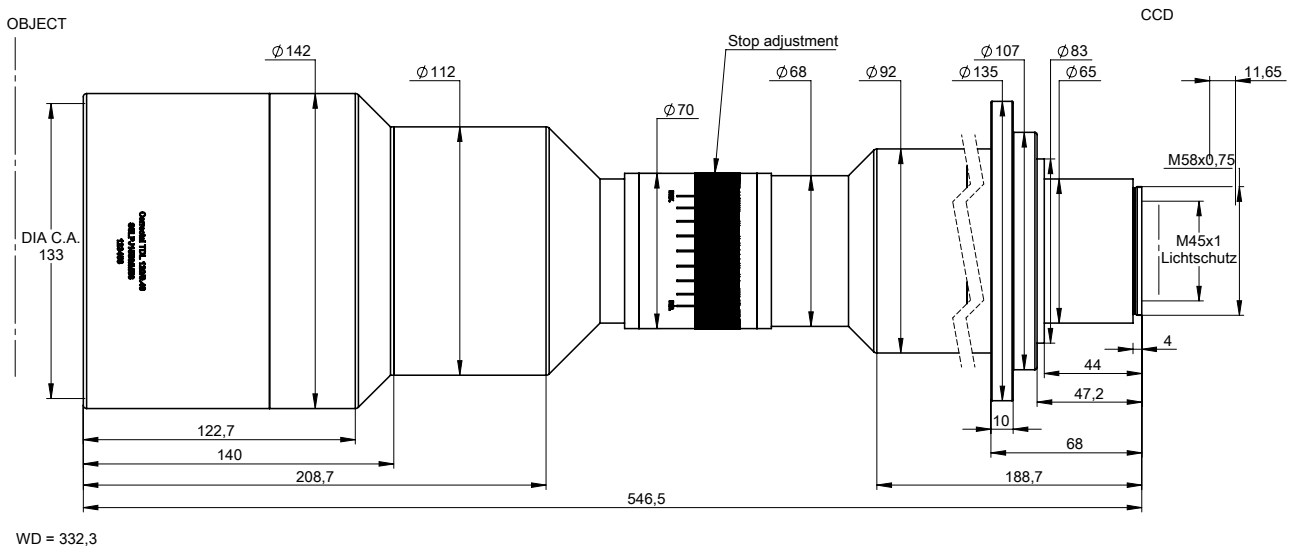


S5LPJ1556/M58 Correctal TDL120/0.46 NA0.04 M58

- standard telecentric lenses
- bi-telecentric
- with M58x0.75
- variable iris (manual)



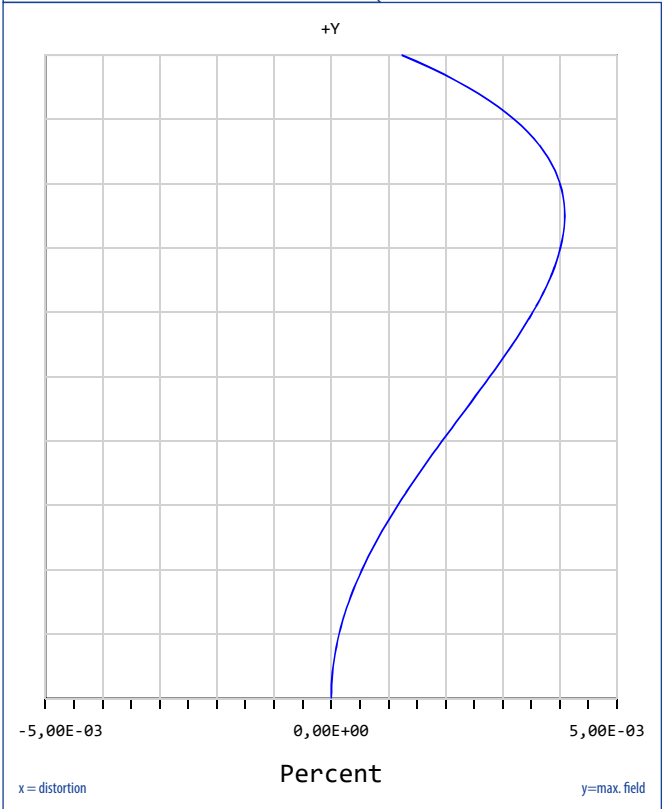
outline drawing



specifications

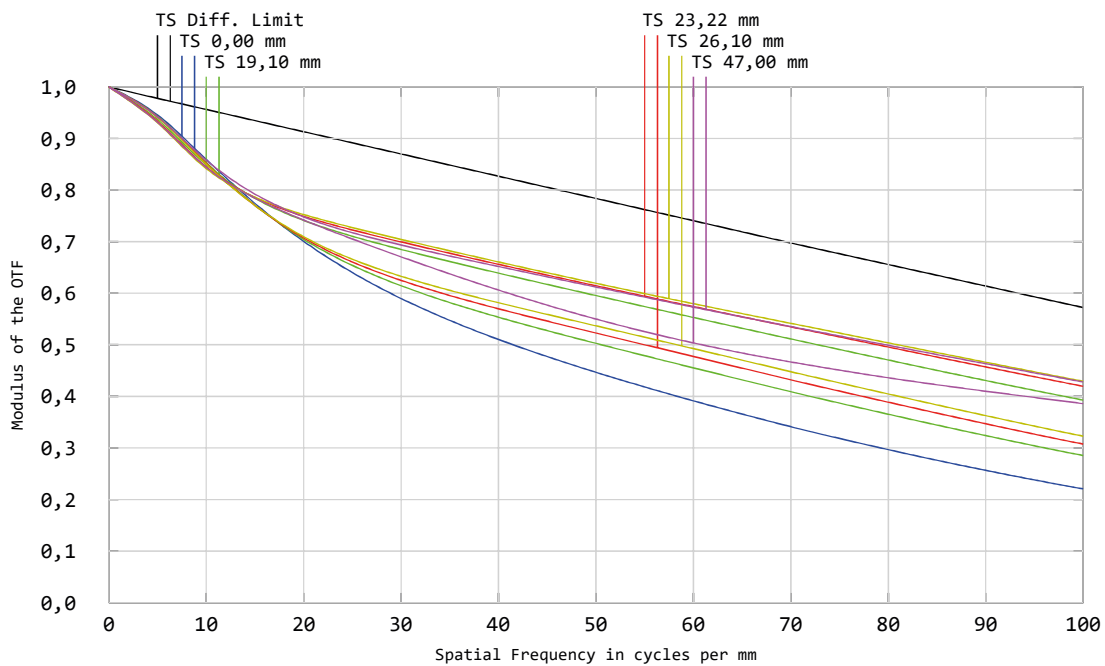
article number	S5LPJ1556/M58
wavelength range [nm]	450 - 700
design wavelength [nm]	586
magnification (+/-5%)	0.460
working distance [mm] (+/-2%)	332.3
object size [mm] at a chip size of [mm]	50.0 x 50.0 23.0 x 23.0 (32.6)
object size [mm] at a chip size of [mm]	53.7 x 53.7 24.7 x 24.7 (35.0)
object size [mm] at a chip size of [mm]	78.3 x 52.2 36.0 x 24.0 (43.3)
max. telecentricity error [°]	0.26
recommended numerical aperture	0.042
max. distortion [%]	< 0.01
weight [kg]	8.1
flange back distance [mm]	11.65
accessory	---

Distortion for 586 nm



notes

MTF for various object heights at 586 nm



T. tangential

S. sagittal