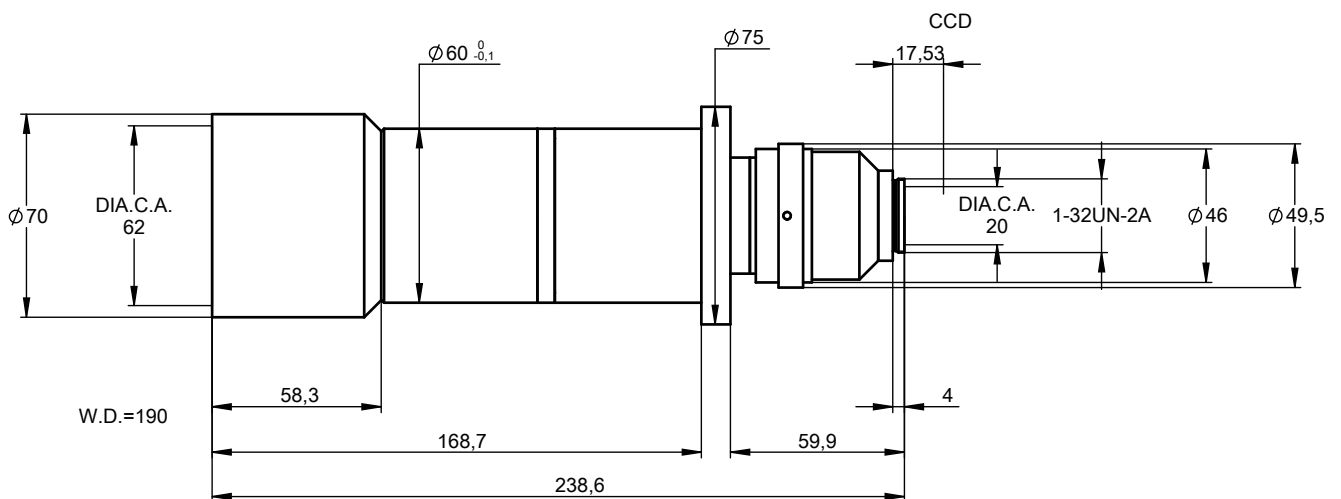


S5LPJ1252 Correctal T60/0.26

- standard telecentric lenses
- object-sided telecentric lens
- with C-mount
- variable iris (manual)



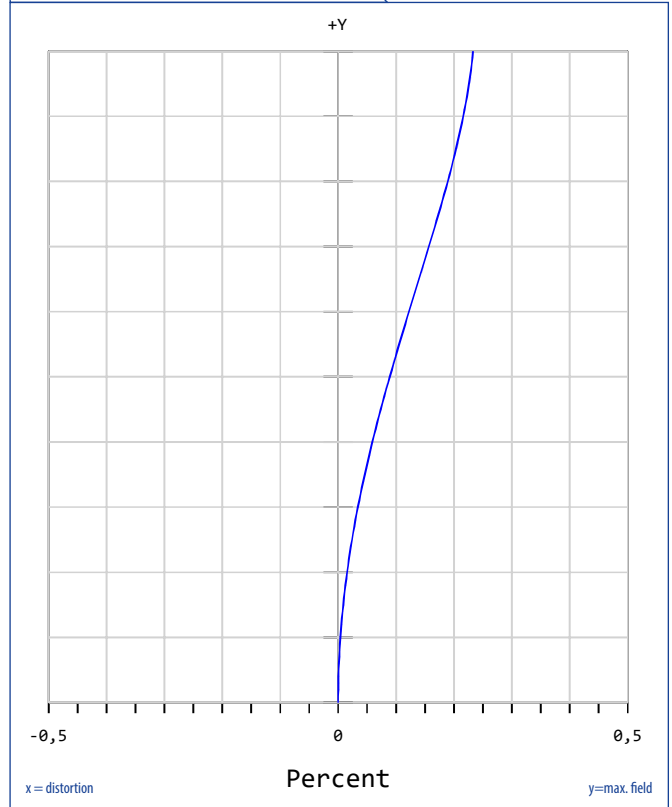
outline drawing



specifications

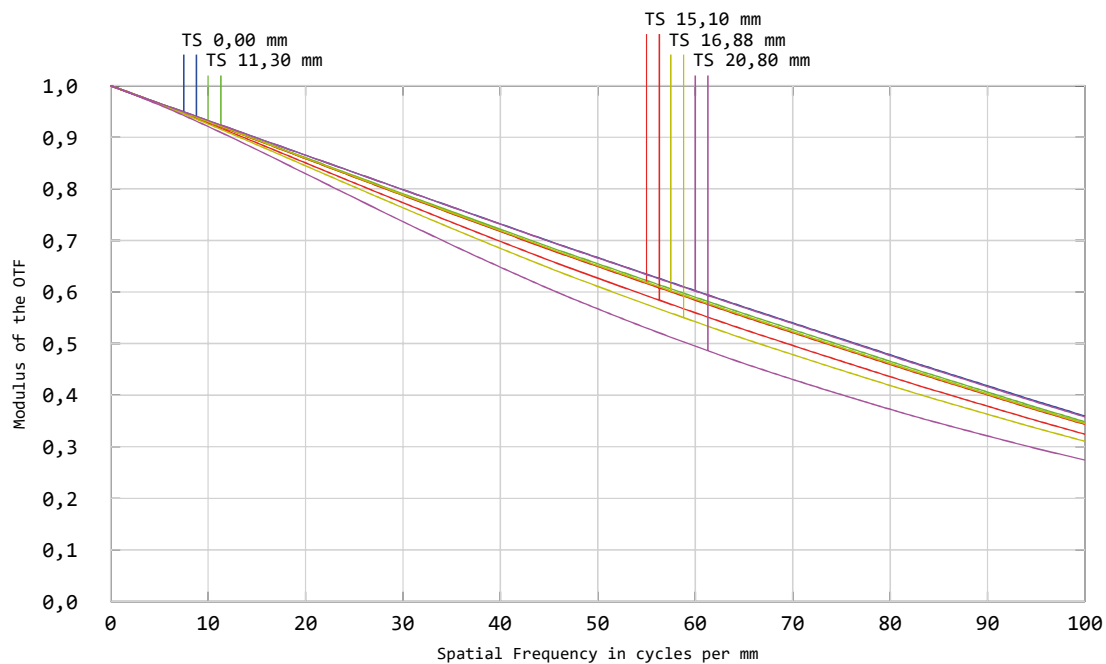
article number	S5LPJ1252
wavelength range [nm]	450 - 700
design wavelength [nm]	586
magnification (+/-5%)	0.270
working distance [mm] (+/-2%)	190.0
object size [mm] at a chip size of [mm]	18.1 x 24.2 4.8 x 6.4 (1/2")
object size [mm] at a chip size of [mm]	20.0 x 27.2 5.3 x 7.2 (1/1.8")
object size [mm] at a chip size of [mm]	24.9 x 33.2 6.6 x 8.8 (2/3")
max. telecentricity error [°]	0.03
recommended numerical aperture	0.015
max. distortion [%]	0.23
weight [kg]	1.2
flange back distance [mm]	17.53
accessory	S5SET0020 (lens mount), S5SET2204 (protective window)

Distortion for 586 nm



notes

MTF for various object heights at 586 nm



T. tangential

S. sagittal