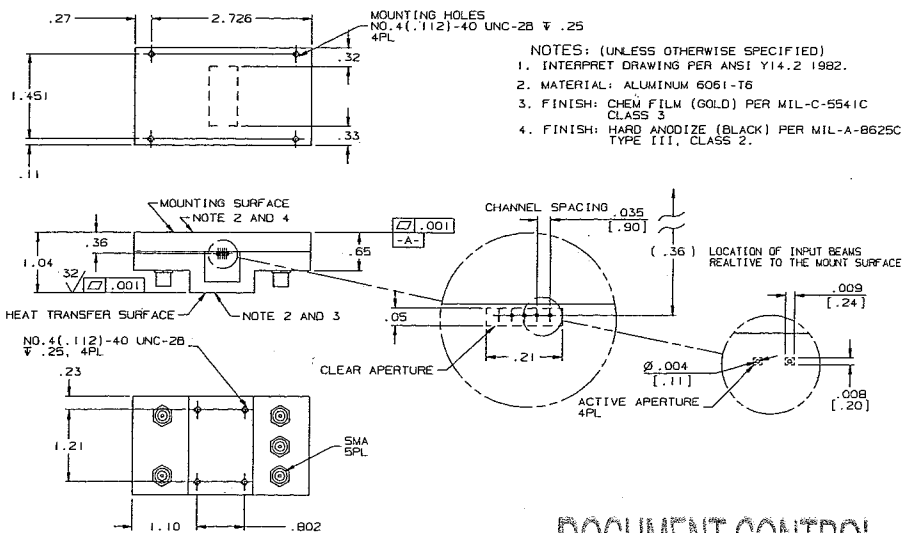


SPECIFICATIONS

AO Medium	Crystalline Quartz
Acoustic Velocity	5.74 mm/μs
Active Aperture*	0.5 mm 'L' X 0.24 mm 'H'
Center Frequency (Fc)	220 MHz
RF Bandwidth	60 MHz
Input Impedance	50 Ohms Nominal
VSWR @ Fc	1.5:1 Max
Wavelength	413 nm
Insertion Loss	3 % Max
Anti-Reflection Coating	MIL-C-48497
Optical Damage Threshold	200 MW/cm ²
Contrast Ratio	100:1 Min
Polarization	Perpendicular ° To Acoustic Wave

Outline Drawing:

Package 97-02411-02



DOCUMENT CONTROL

JUL 19 2006

PERFORMANCE VS WAVELENGTH

Wavelength (nm)	413
Operational RF Power (W)	2.5
Bragg Angle (mr)	7.9
Beam Separation (mr)	15.8

PERFORMANCE VS BEAM DIAMETER

Beam Diameter (μm)	110
<i>at Wavelength (nm)</i>	413
Diffraction Efficiency (%) min	75
Rise Time (nsec)	16

Number of Channels: 5; Channel Pitch: 0.90mm
 Contrast Ratio is measured at 2.5 watts, **MAXIMUM DRIVE POWER** into device with all channels 'on' is 12.5 watts with proper heat sink
 Device is conduction cooled thru the mounting surface
 Channel Crosstalk: < -20dB , one channel 'off' all others 'on'
 Acousto-Optic Operation: First Order
 Distance to Output face of crystal to the edge of the housing will be minimized.
 Mounting surface flatness is .001

THIS DOCUMENT IS THE PROPERTY OF CRYSTAL TECHNOLOGY, INC. IT IS NOT TO BE REPRODUCED OR DISCLOSED IN WHOLE OR IN PART OTHER THAN BY EMPLOYEES CRYSTAL TECHNOLOGY AND ITS CONTRACTED REPRESENTATIVES AND DISTRIBUTORS. ANY EXCEPTION REQUIRES THE WRITTEN CONSENT OF AN AUTHORIZED REPRESENTATIVE OF CRYSTAL TECHNOLOGY.

Special Testing

Min Units Max

Crosstalk 20 dB

*Active Aperture: Aperture over which performance specifications apply.

TOLERANCES: .XX ± .01 .XXX ± .005	DR	A. Campi 10/25/99	Crystal Technology, Inc.	
MATERIAL:	CHK			DESCRIPTION: AOMC MC220-5 413um
FINISH:	APP	W.K. 10/25/99		
	APP	R.D. 10/26/99	PART NUMBER: 97-02411-03	
			REV: A	
			SHEET 1 OF 1	